



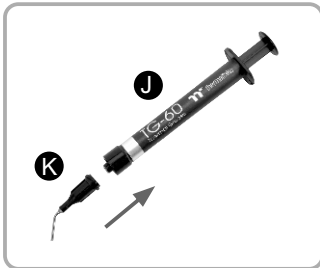
This product is intended for installation only by expert users. Please consult with a qualified technician for installation. Improper installation may result in damage to your equipment.

Before you start using this product please follow these basic guidelines:

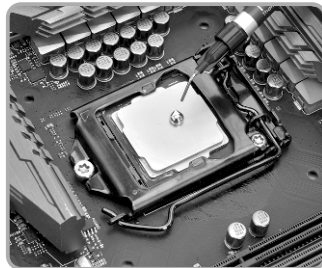
1. Please carefully read through the instruction manual before beginning the installation process.
2. Please remove your graphics card from your motherboard to insure the safest process and in order to prevent any possible damages to your CPU and motherboard.
3. It is strongly recommended to use market proven pre-mix coolant, such as Thermaltake Coolant Series.

Thermal Grease Application Method

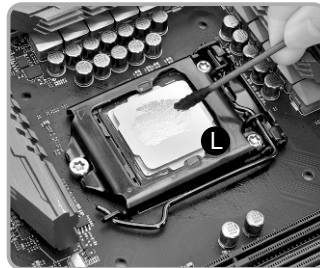
⚠️ WARNING: Avoid Aluminum Materials



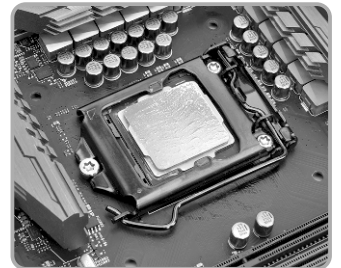
Install the pinhead of TG-60.



Squeeze certain amount of Liquid Metal Thermal Grease on the CPU. (Please wipe it out if overflowed)

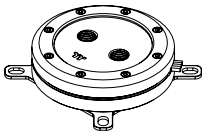


Apply the thermal grease evenly by cotton swabs.

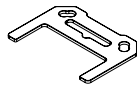


Complete.

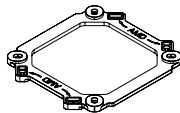
Parts List



A x 1
Water Block



B x 2
AMD clip



C x 1
Backplate



D x 4
Screw



E x 4
Screw



F x 4
Screw



G x 4
Washer



(Black)
H x 4
Screw



(Silver)
I x 4
Screw



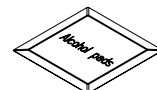
J x 1
Liquid Metal



K x 1
Pinhead



L x 2
Cotton swabs



M x 1
Alcohol pads



N x 1
Hex Key

Intel

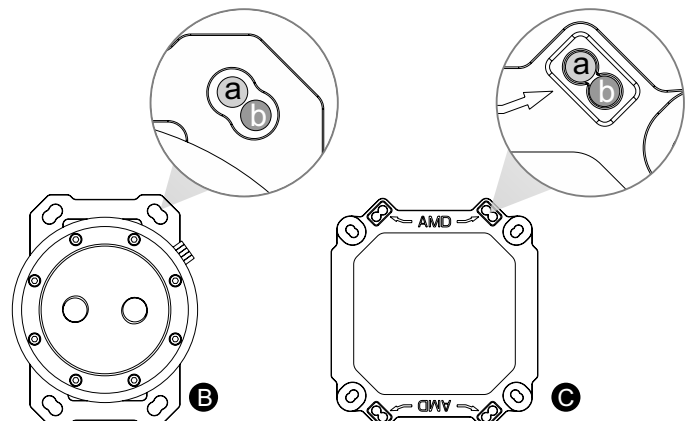
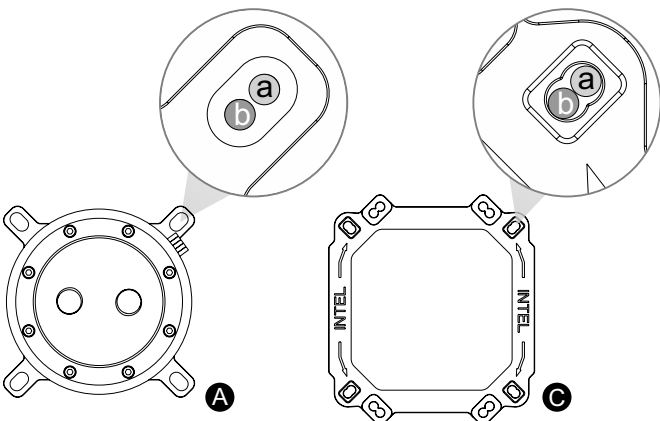
a LGA1700

b LGA1200/1156/1155/1151/1150

AMD

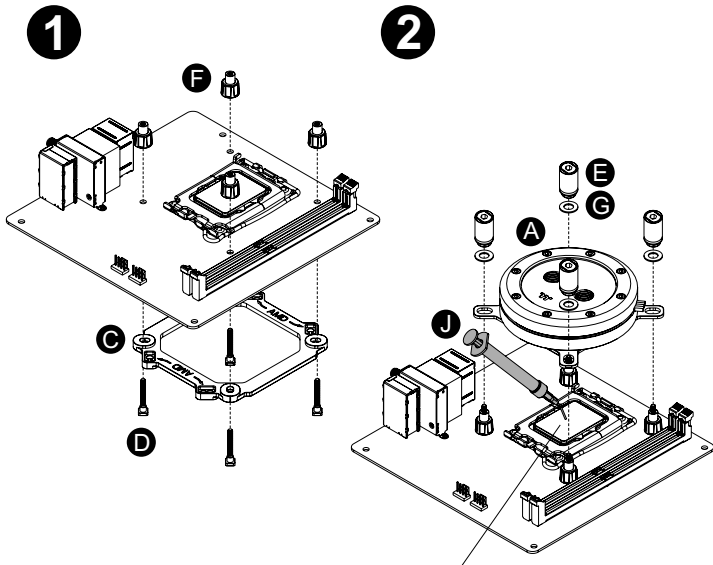
a AM3/AM2/FM2/FM1

b AM5/AM4



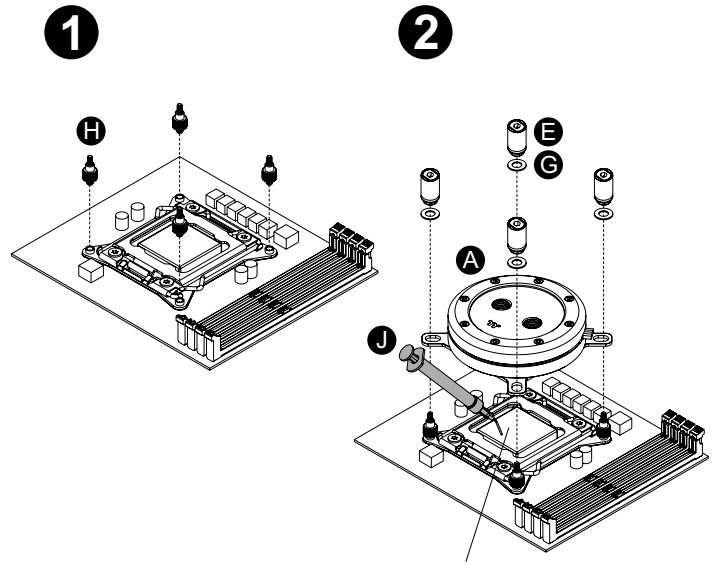
Intel Installation Guide

LGA 1700/1200/115X



Please refer to "Thermal Grease Application Method"

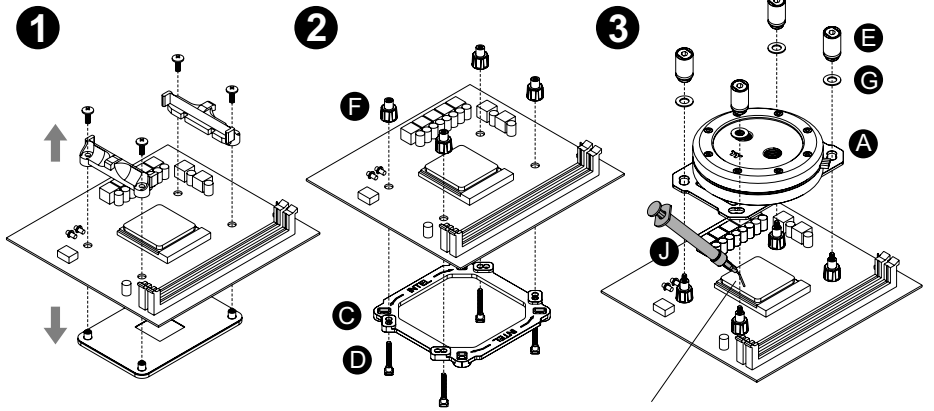
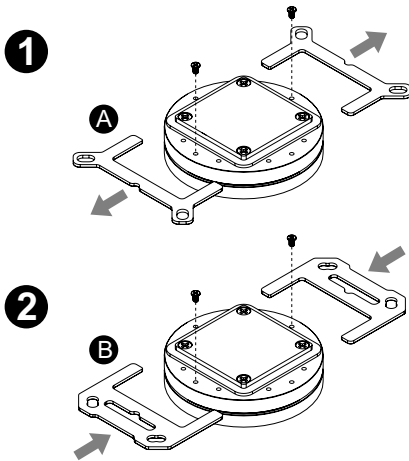
LGA 2066, 2011-3, 2011



Please refer to "Thermal Grease Application Method"

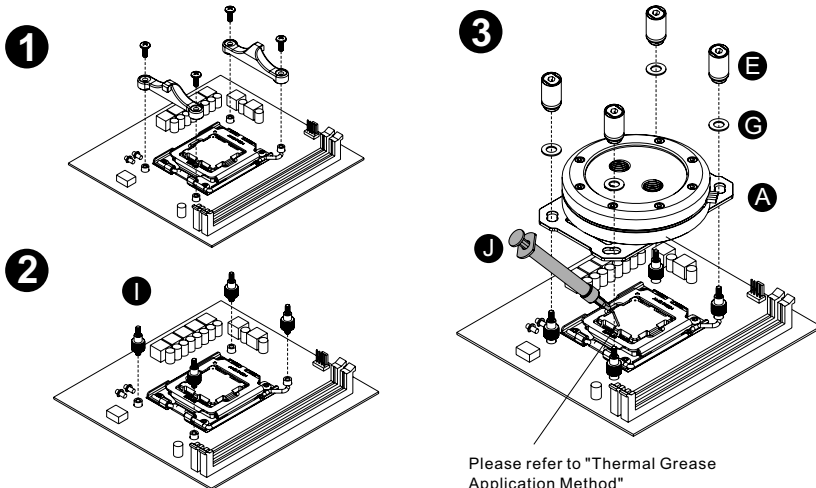
AMD Installation Guide

AM4/AM3/AM2/FM2/FM1



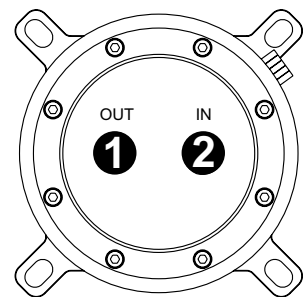
Please refer to "Thermal Grease Application Method"

AM5



Please refer to "Thermal Grease Application Method"

Installation Guide



- 1 Out : Circle 1 is designed for liquid outlet
- 2 In : Circle 2 is designed for liquid inlet/fill