

MORPHEUS

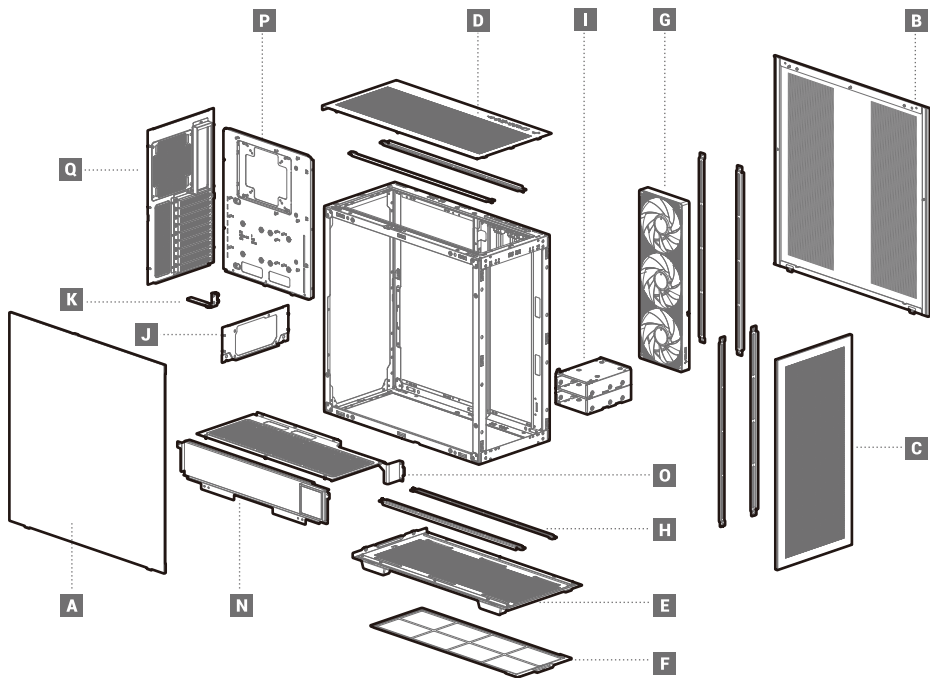
Modular High Airflow ATX+ Case



DEEPCOOL 

Case Features	1
Accessory Kit Contents	5
Specifications	6
REAR	7
FRONT	8
TOP	9
BOTTOM	10
SIDE	11
PSU Shroud	12
Installation Steps	
Removing the Mesh Side Panel	13
Removing the Top Panel	15
Removing the Tempered Glass Side Panel	18
Removing the Bottom Panel	21
Removing the Front Panel	23
Installing the Motherboard	24
Installing the GPU	25
Installing HDDs	26
Installing SSDs	28
Installing the Power Supply	30
Installing Fan Brackets	32
SIDE	33
TOP	35
BOTTOM	37
FRONT	39
PSU in Front Mode	41
Removing the PSU Shroud	42
Removing the PSU Rubber Stand and HDD Cage	49
Dual Chamber Mode	62
Installation for Dual Chamber Mode	63
Vertical installation of Graphics Card	68
Installing HDDs	72
Installing the Power Supply	74
I/O Panel Introduction	76
Installing the Front I/O Connectors	77
Manual RGB Wiring	78
Motherboard RGB Synchronization	79
Fan Power Line Wiring	80
Rubber Square Bits Usage Method	81

Case Features



Case Specifications

Length: 528mm
 Width: 250mm
 Height: 551mm

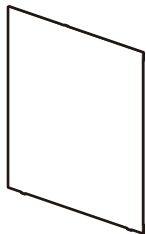
Maximum GPU length: 480mm
 Maximum PSU length: 180mm
 Maximum CPU cooler height: 195mm/132mm

Radiator compatibility:

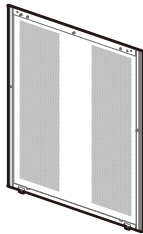
Front: 120/140/240/280/360/420mm
 Top: 120/140/240/280/360/420mm
 Side: 120/140/240/280/360/420mm
 Bottom: 120/140/240/280/360/420mm
 Rear: 1×120 / 1×140mm

Fan locations:

Front: 3×120 / 3×140 / 2×180 / 2×200mm
 Top: 3×120 / 3×140 / 2×180 / 2×200mm
 Side: 3×120 / 3×140mm
 Bottom: 3×120 / 3×140 / 2×180 / 2×200mm
 PSU Shrouded: 3×120 / 3×140mm
 Rear: 1×120 / 1×140mm

**A**

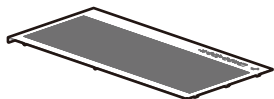
Tempered Glass Side Panel

×1**B**

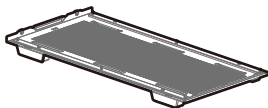
Right Side Panel

×1**C**

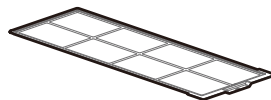
Front Panel

×1**D**

Top Panel

×1**E**

Bottom Panel

×1**F**

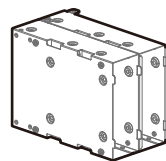
Bottom Dust Filter

×1**G**

Trinity (3×140) ARGB FAN

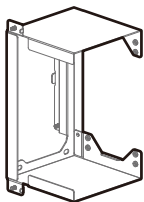
×1**H**

FAN Bracket

×8**I**

HDD cage

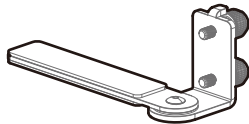
×1



PSU cage

J

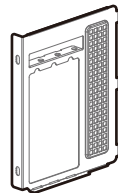
×1



GPU Bracket

K

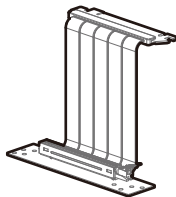
×1



GPU vertical installation kit

L

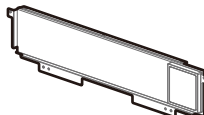
×1



PCIe 4.0 Riser Cable

M

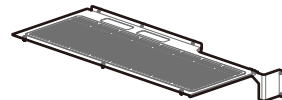
×1



PSU Shroud With Status Display

N

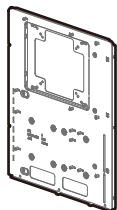
×1



PSU Top Shroud

O

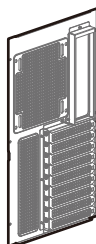
×1



Motherboard Chassis

P

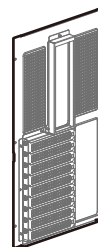
×1



Single Chamber Rear Panel

Q

×1



Dual Chamber Rear Panel

R

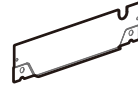
×1

**S**

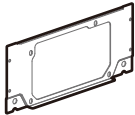
Dual Chamber Mounting Kit

×1**T**

Dual Chamber Rear Panel Kit (a)

×1**U**

Dual Chamber Rear Panel Kit (b)

×1**V**

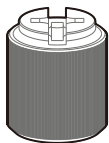
Single Chamber Rear Panel Kit

×1**W**

Rubber Square Bits

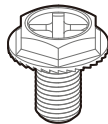
×1Bag

Accessory Kit Contents



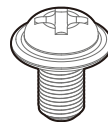
Sleeve screw

x1



PSU screws

x6



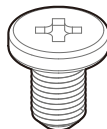
Motherboard screws

x18



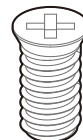
SSD screws

x8



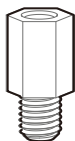
HDD screws

x9



Fan screws

x12



Stand off

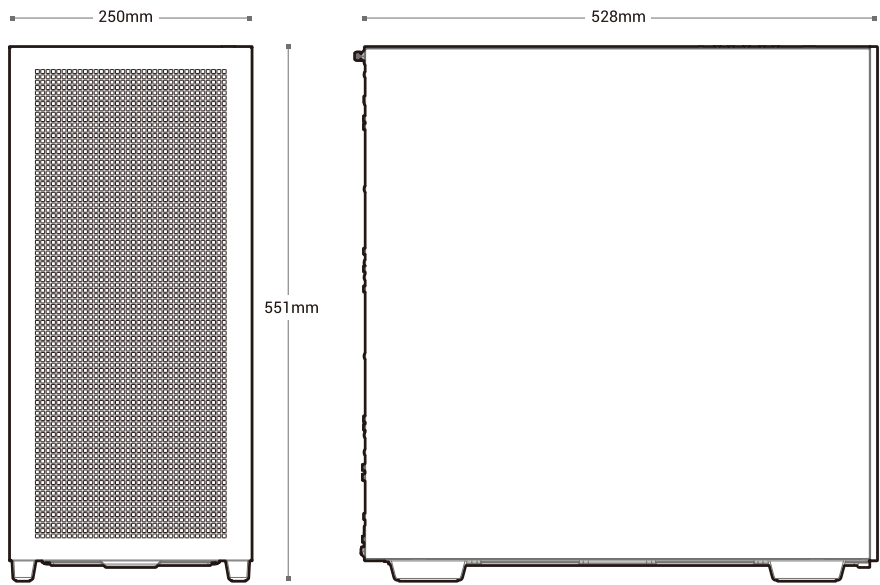
x4

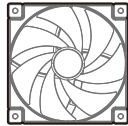
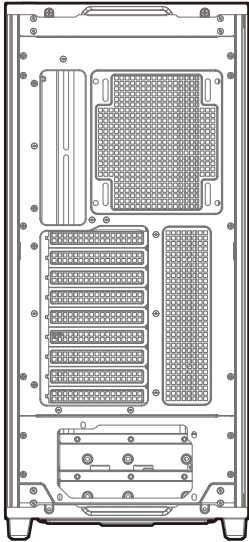


Cable ties

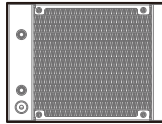
x11

Specifications

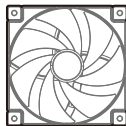
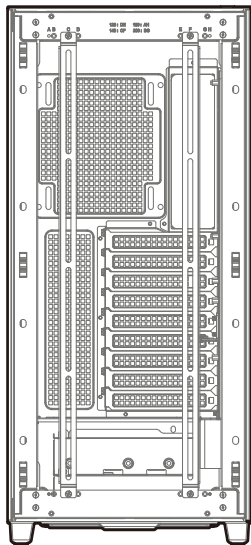




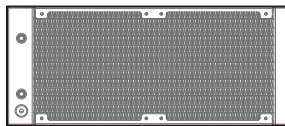
120mm×1
140mm×1



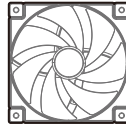
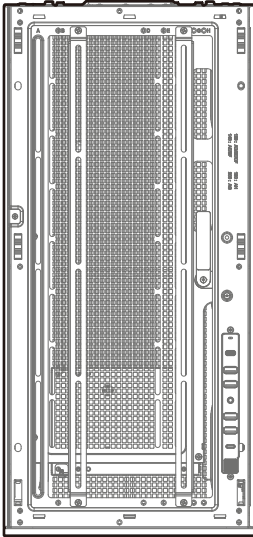
120/140mm



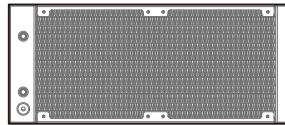
120mm×3
140mm×3
180mm×2
200mm×2



120/140/240/280/360/420mm

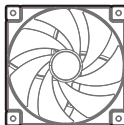
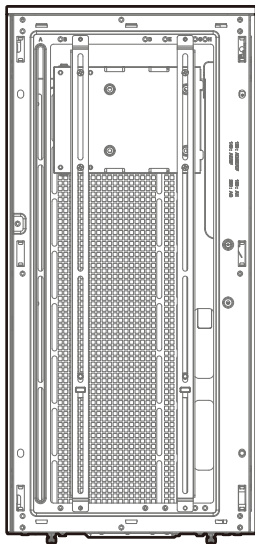


120mm×3
140mm×3
180mm×2
200mm×2

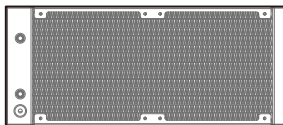


120/140/240/280/360/420mm

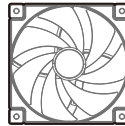
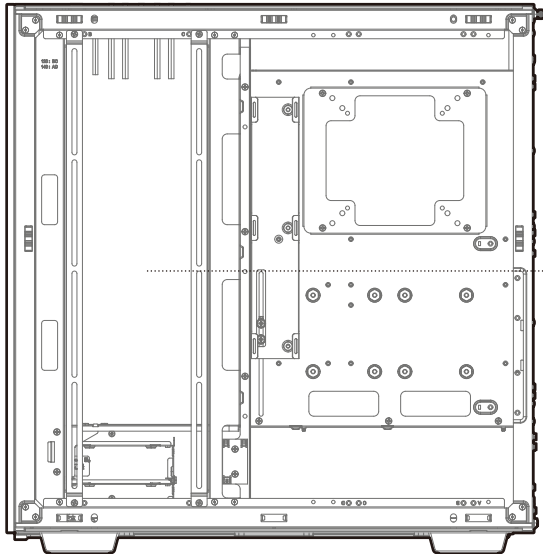
BOTTOM



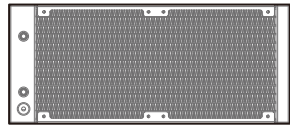
120mm×3
140mm×3
180mm×2
200mm×2



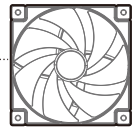
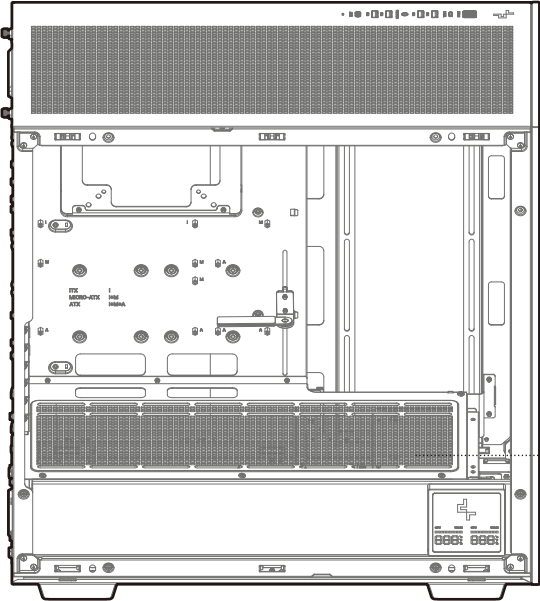
120/140/240/280/360/420mm



120mm×3
140mm×3

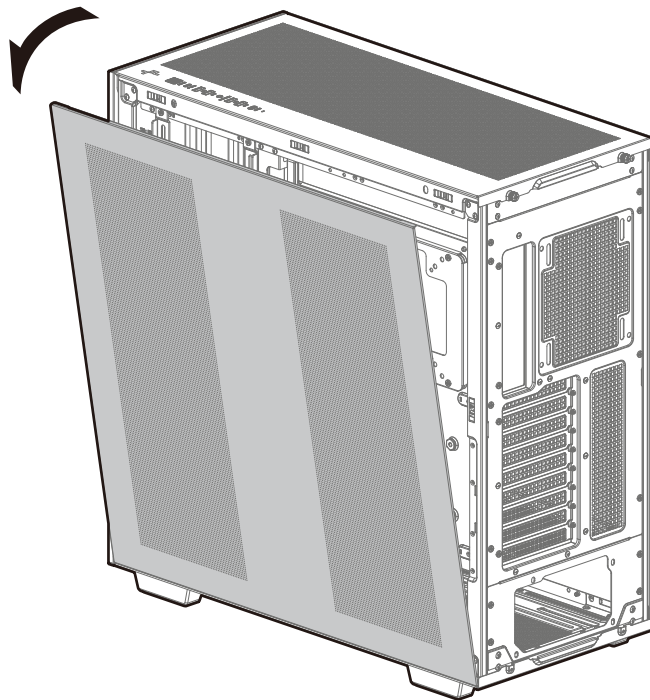


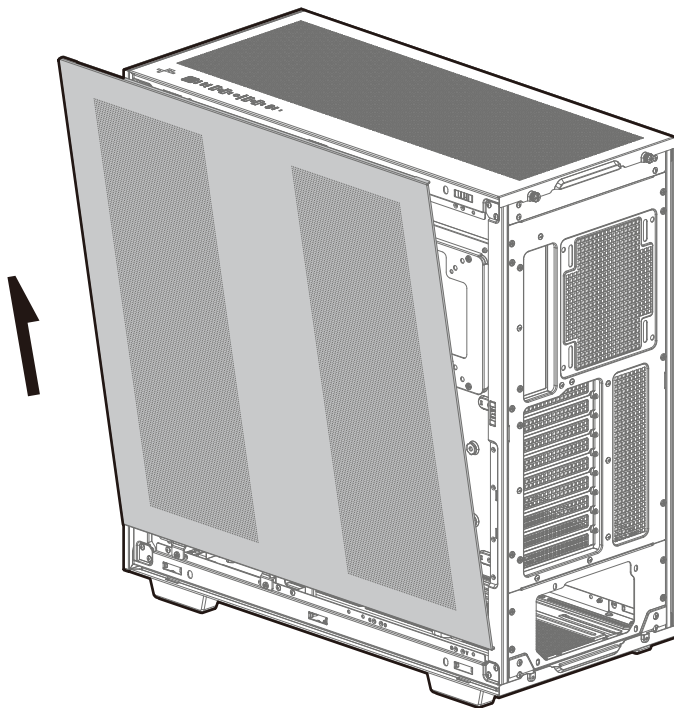
120/140/240/280/360/420mm



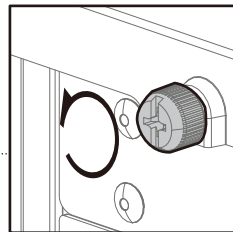
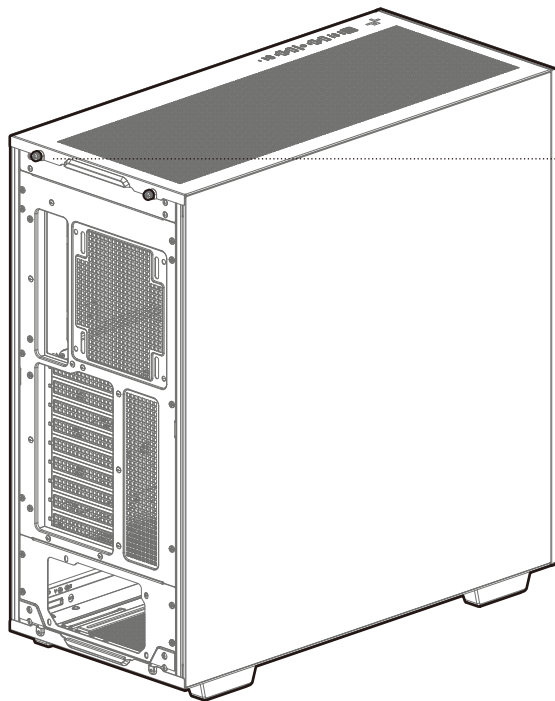
120mm×3
140mm×3

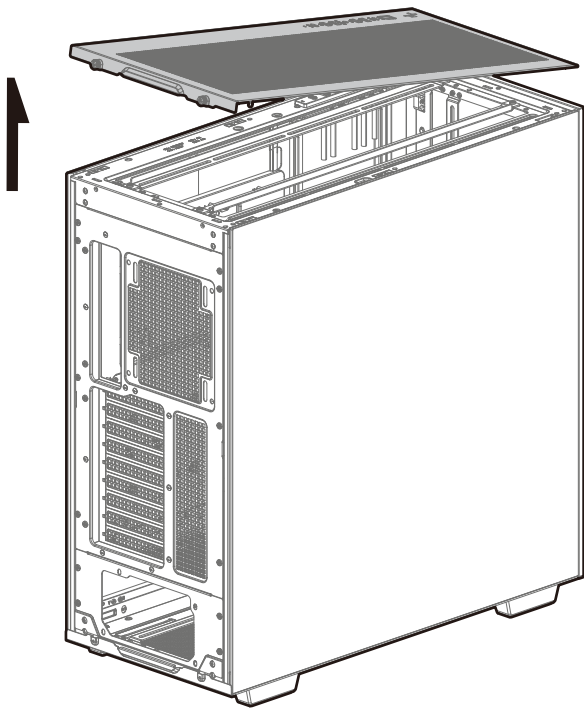
Removing the Mesh Side Panel

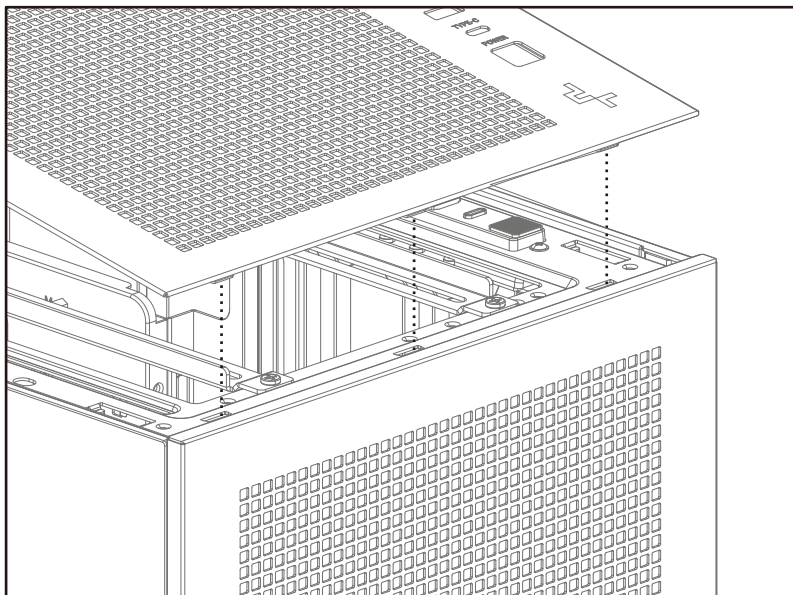




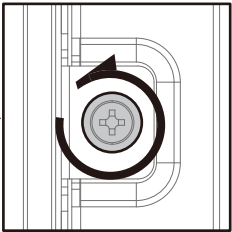
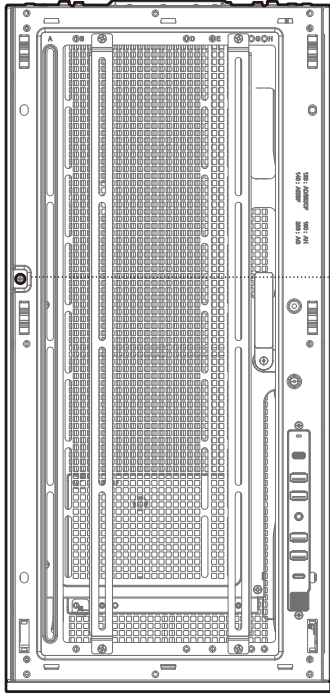
Removing the Top Panel

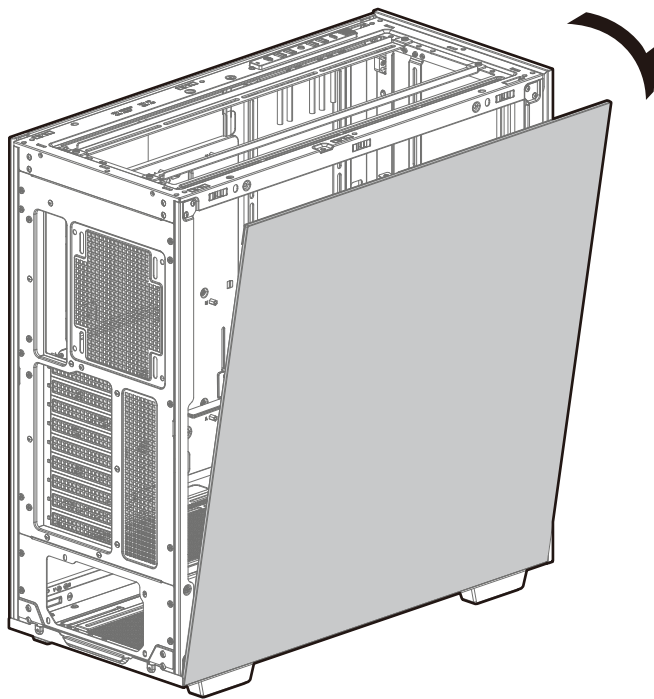


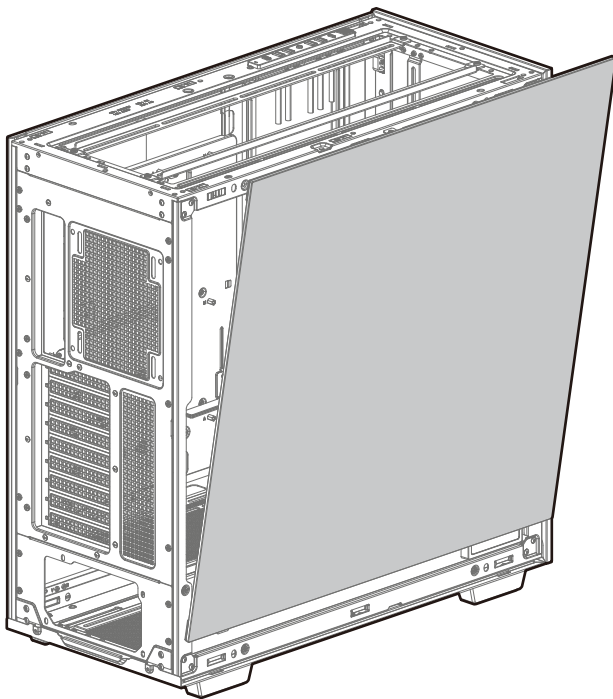




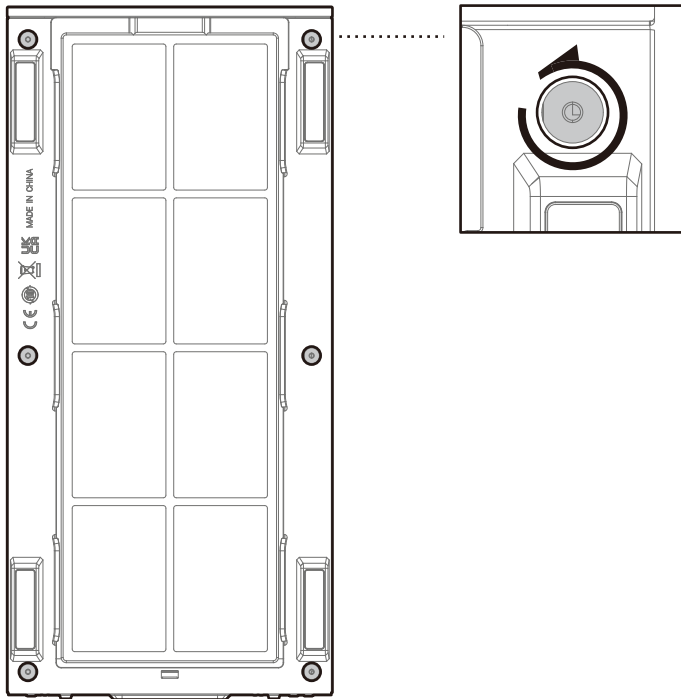
Removing the Tempered Glass Side Panel

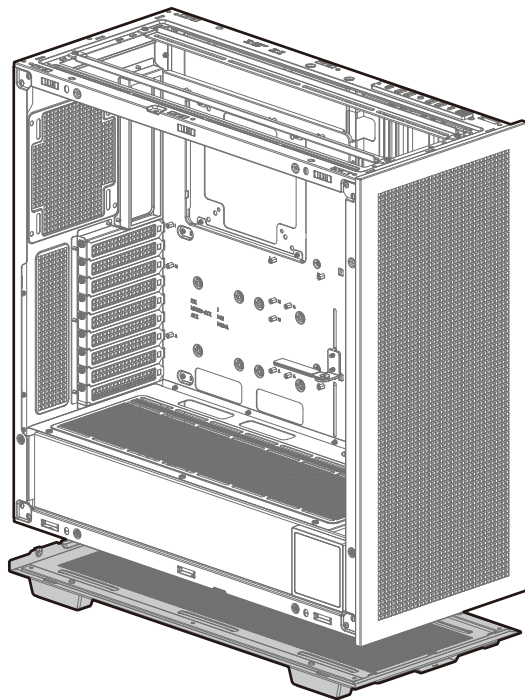




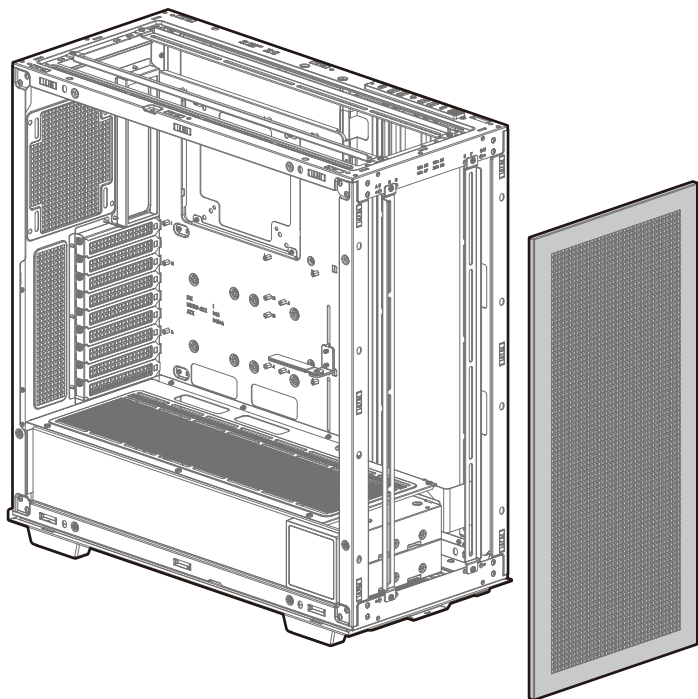


Removing the Bottom Panel

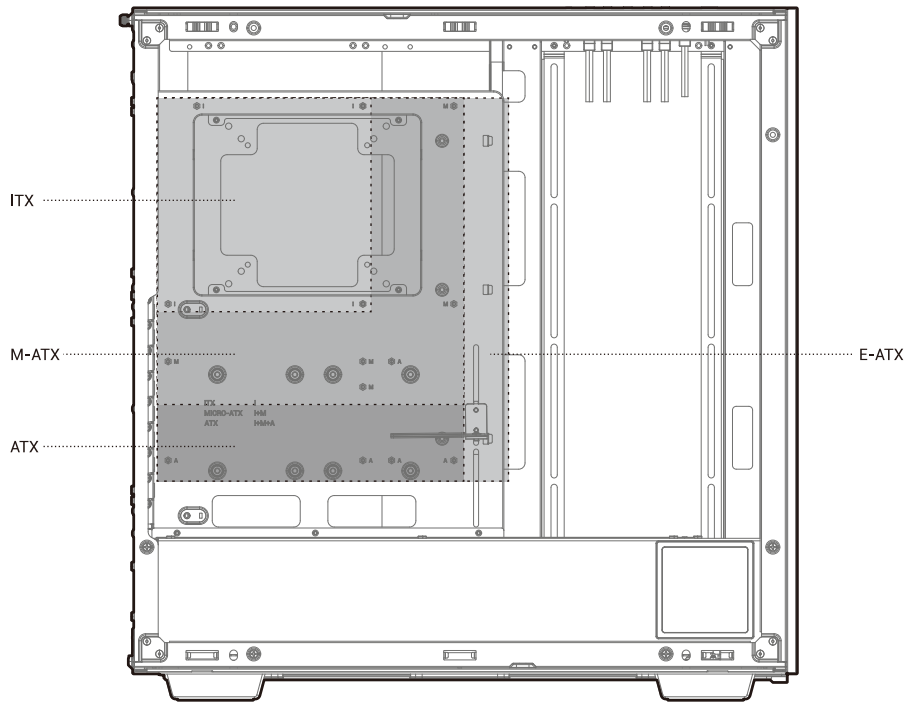




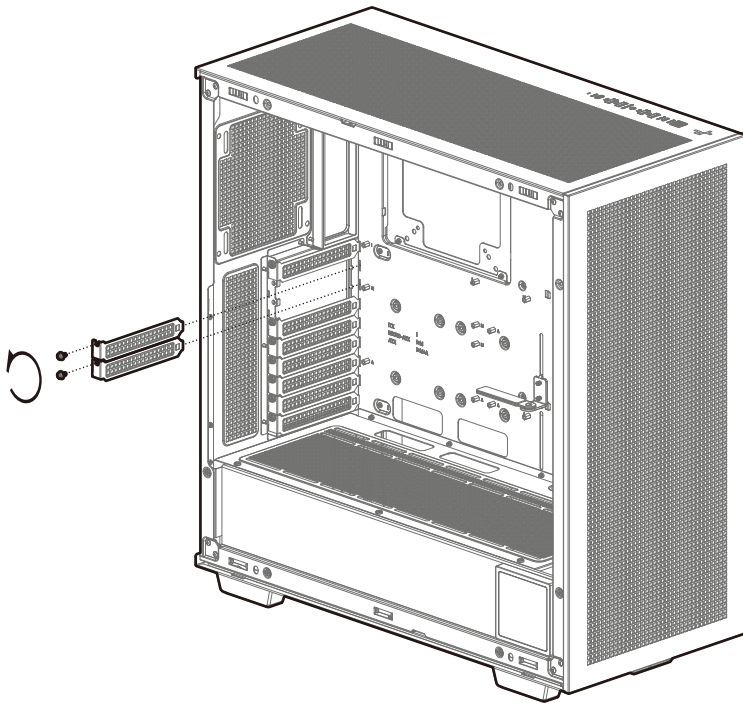
Removing the Front Panel



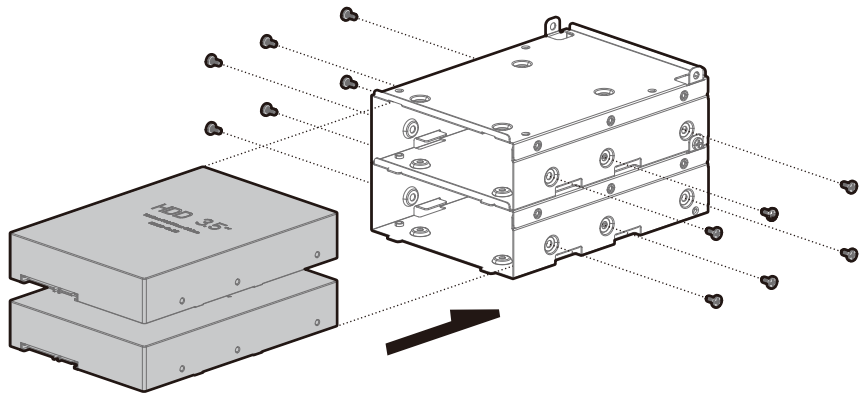
Installing the Motherboard

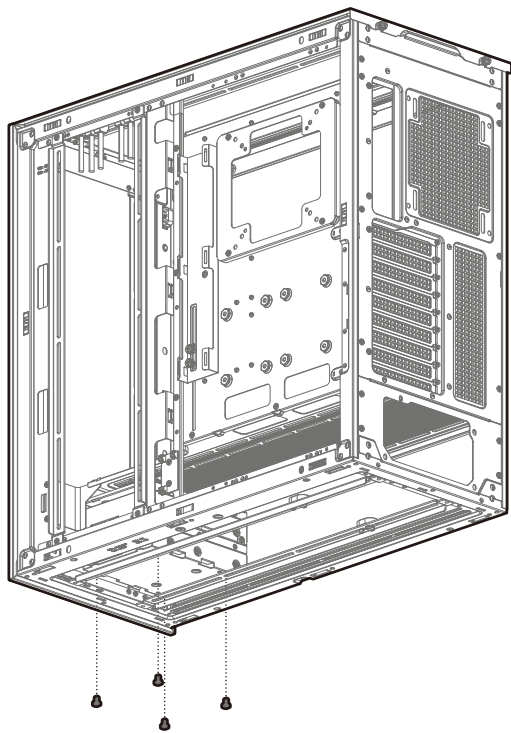


Installing the GPU

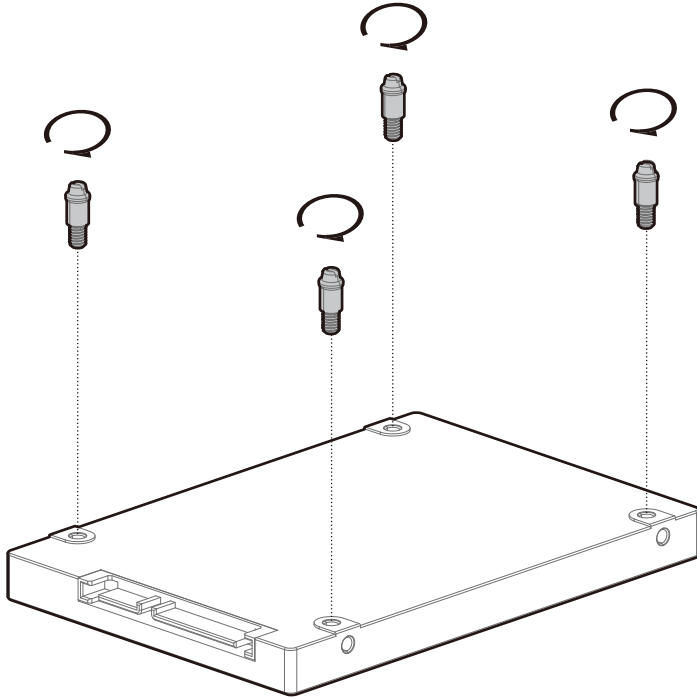


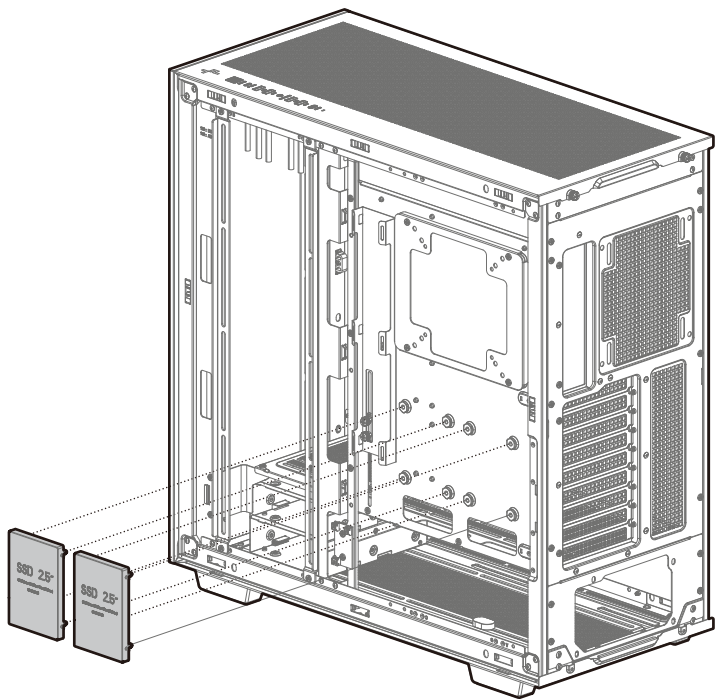
Installing HDDs



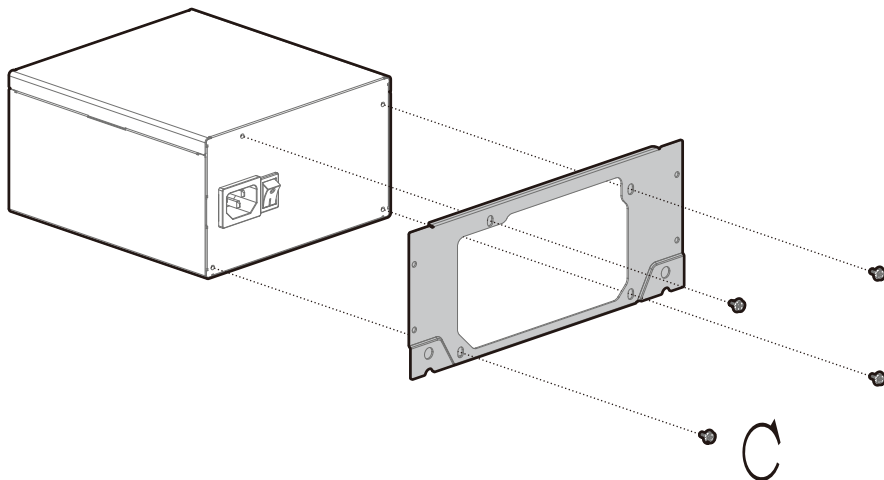
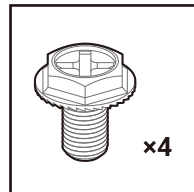


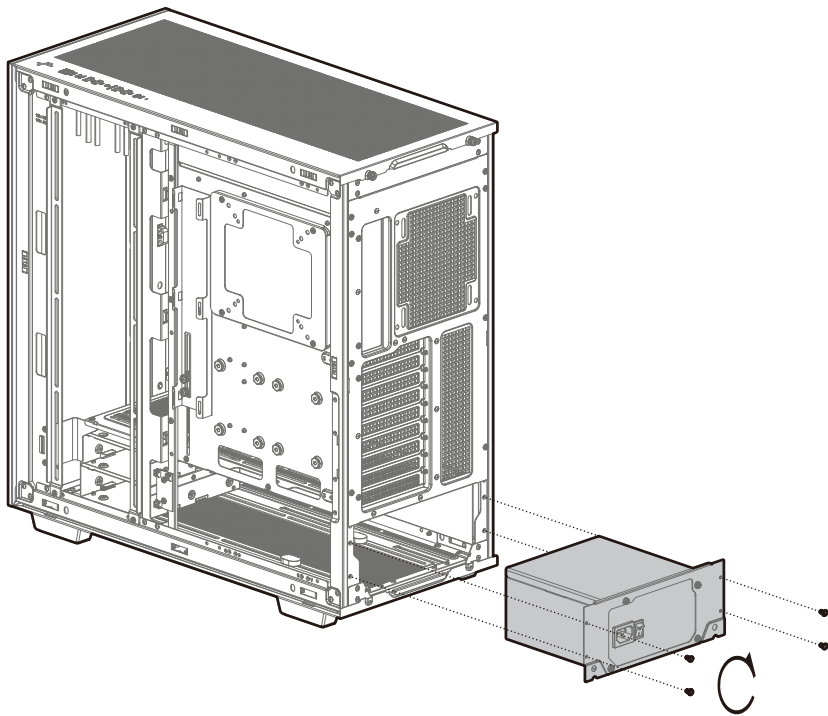
Installing SSDs



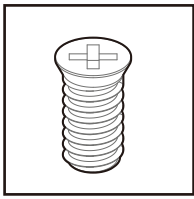
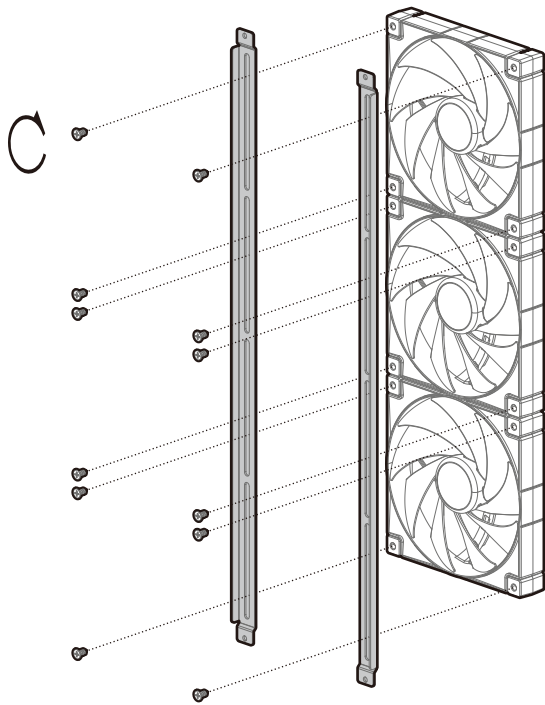


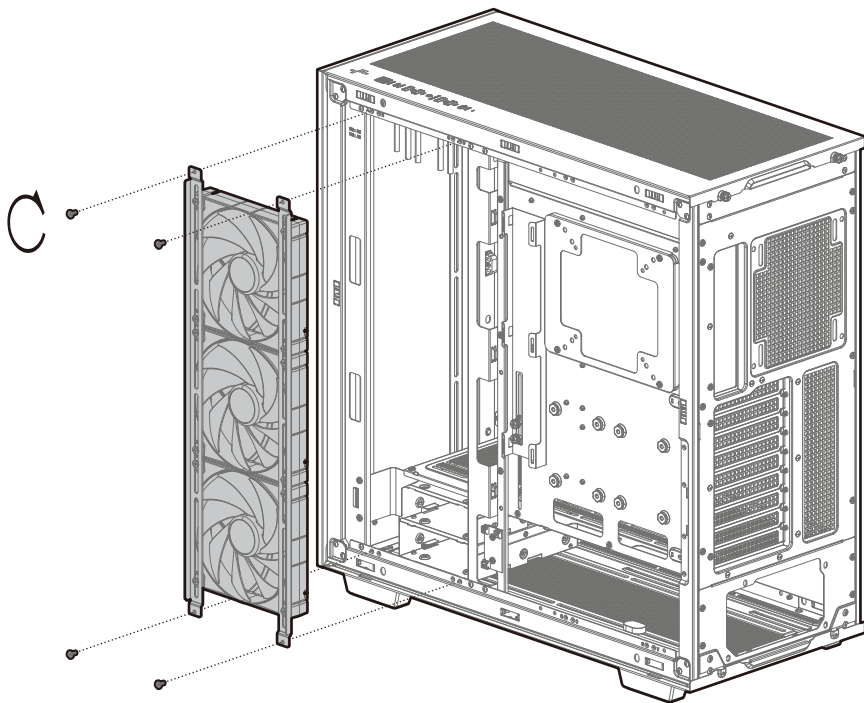
Installing the Power Supply

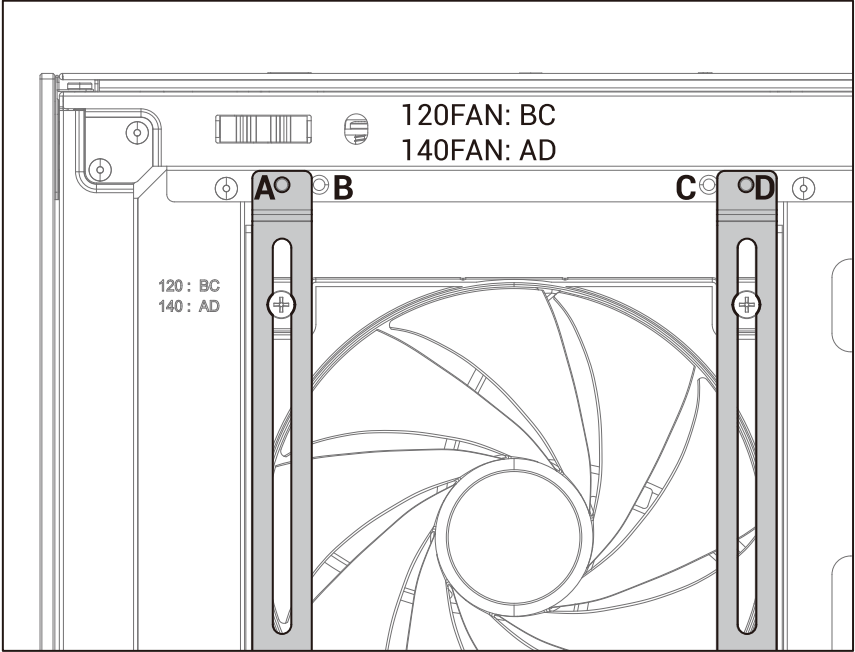


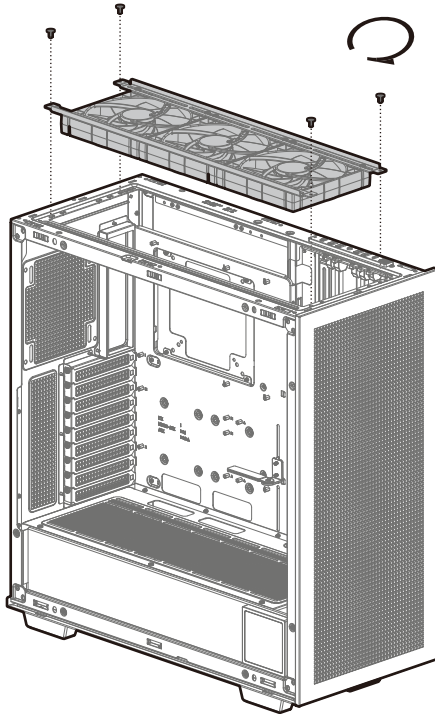


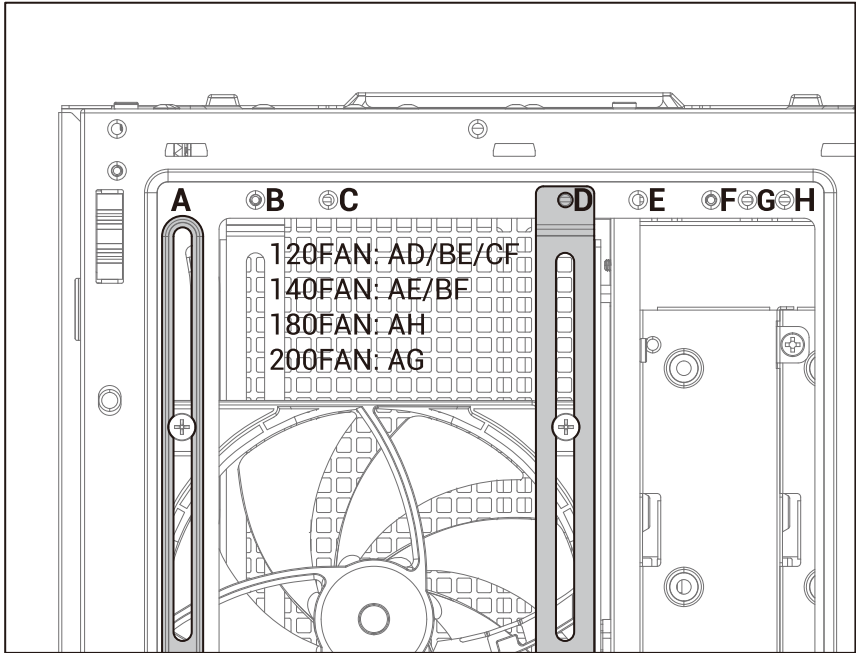
Installing Fan Brackets



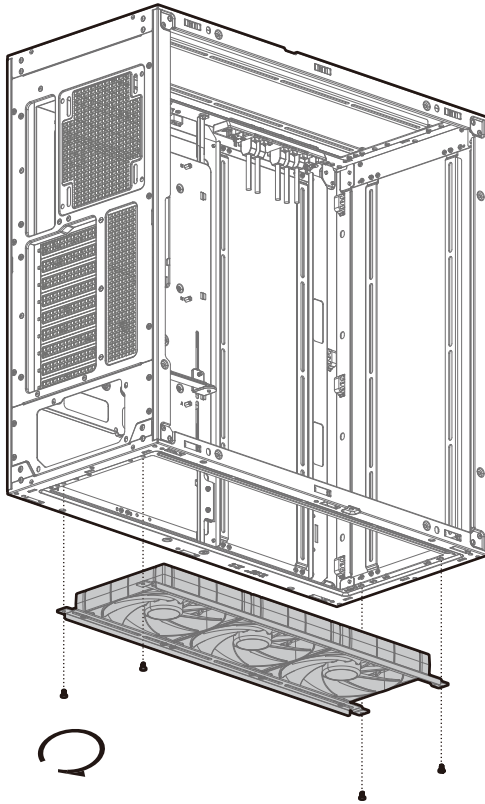


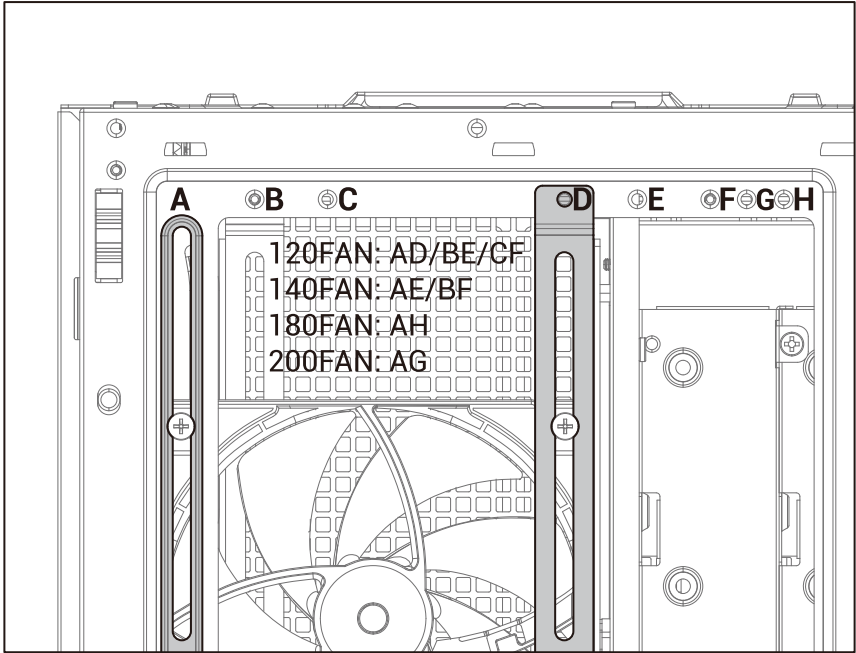






BOTTOM





FRONT

