

CTE C750 Air

User's Manual
Benutzerhandbuch
Mode d'emploi
Manual del usuario
Manuale dell'utente
Manual do Utilizador

安裝說明書
用戶手冊
ユーザーズマニュアル
Руководство пользователя
kullanıcı elkitabı
(EEE Yönetmeliğine Uygundur)
คู่มือการใส่



© 2023 Thermaltake Technology Co., Ltd. All Rights Reserved. 2023.03
All other registered trademarks belong to their respective companies. www.thermaltake.com



TT Premium



TT Premium

To continue achieving the corporate mission of delivering the perfect user experience, Thermaltake developed "TT Premium" with the essence of combining supreme quality products with a new logo design. TT Premium is far more than just a guarantee of quality. Behind the name, it represents the passion in DIY, Modding and Thermaltake's desire to be the most innovative brand in the PC hardware market. To satisfy the demand of the high-end PC users, TT Premium follows its core values of Excellent Quality, Unique Design, Diverse Combinations and Boundless Creativity to provide a high performance PC product for every enthusiast. <http://tppremium.com>

Tt LCS-Liquid Cooling Support Certification



Tt LCS Certified is a Thermaltake exclusive certification applied to only products that pass the design and hardcore enthusiasts standards that a true LCS chassis should be held to. The Tt LCS certification was created so that we at Thermaltake can designate to all power users which chassis have been tested to be best compatible with extreme liquid cooling configurations to ensure you get the best performance from the best features and fitment.

Join Tt Community To Receive Benefits



Dear Valued Customer,

Thank you for choosing Thermaltake.

As a new user we value your thoughts and opinions and your feedback is important to us. We at Thermaltake would like to use this opportunity to invite you to join our Community Forums. Register today to start enjoying the full benefits of our community.

Benefits of being a member:

- Quick and responsive user support
- Receive help and advice with new builds
- Keep up to date with new product releases
- Share your thoughts and builds with the community
- Enter monthly contests and giveaways



Brand official website

<http://www.thermaltake.com/>

Global Facebook

<https://www.facebook.com/ThermaltakeInc>

Taiwan Facebook

<http://www.facebook.com/ThermaltakeTW>

Global community forums

<http://community.thermaltake.com>

CONTENTS


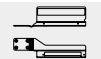

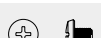
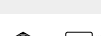





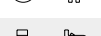
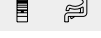
Chapter 1. Product Introduction

| | | |
|-----|--------------------------|----|
| 1.0 | Specification | 01 |
| 1.1 | Accessory | 02 |
| 1.2 | Warning and Notice | 03 |

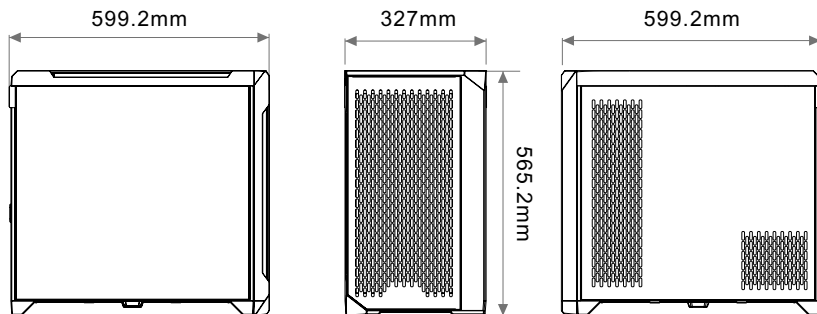
Chapter 2. Installation Guide

| | | |
|-----|--|----|
| 2.0 | Remove Components | 06 |
| 2.1 | Power Supply Unit (PSU) Installation | 07 |
| 2.2 | Motherboard Installation | 08 |
| 2.3 | VGA Card Installation | 09 |
| 2.4 | 3.5" & 2.5" HDD Installation | 11 |
| 2.5 | Liquid Cooling Installation | 13 |
| 2.6 | AIO Liquid Cooling Installation | 15 |
| 2.7 | Air Cooling Installation | 16 |
| 2.8 | I/O Connection | 17 |
| 2.9 | Remove Filters | 18 |

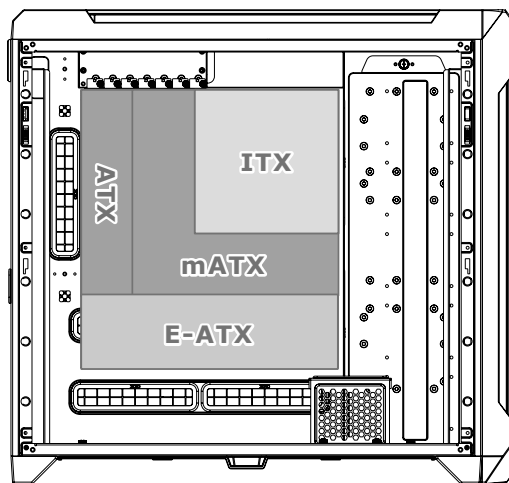
| | |
|-------------------|--|
| Case Type | Full Tower |
| Dimension (H*W*D) | 565.2 x 327 x 599.2 mm (22.25 x 12.87 x 23.59 inch) |
| Side Panel | Tempered Glass x 1 |
| Material | SPCC / ABS |
| Cooling System | Front (intake) : 140 x 140 x 25 mm CT140 fan (1500rpm, 30.5 dBA) x 1 Top (exhaust) : 140 x 140 x 25 mm CT140 fan (1500rpm, 30.5 dBA) x 1 Rear (intake) : 140 x 140 x 25 mm CT140 fan (1500rpm, 30.5 dBA) x 1 |
| Drive Bays | 7 x 3.5" or 12 x 2.5" |
| Expansion Slots | 7 |
| Motherboards | 6.7" x 6.7" (Mini ITX), 9.6" x 9.6" (Micro ATX), 12" x 9.6" (ATX), 12" x 13" (E-ATX) |
| I/O Port | USB 3.2 (Gen 2) Type C x 1, USB 3.0 x 4, HD Audio x 1 |
| PSU | Standard PS2 PSU (optional) |
| Fan Support | Front: 3 x 120mm, 2 x 120mm, 1 x 120mm 3 x 140mm, 2 x 140mm, 1 x 140mm 2 x 200mm, 1 x 200mm |
| | Top: 2 x 120mm, 1 x 120mm 2 x 140mm, 1 x 140mm |
| | Right (M/B Side): 3 x 120mm, 2 x 120mm, 1 x 120mm 3 x 140mm, 2 x 140mm, 1 x 140mm |
| | Rear: 3 x 120mm, 2 x 120mm, 1 x 120mm 3 x 140mm, 2 x 140mm, 1 x 140mm 2 x 200mm, 1 x 200mm |
| | Bottom: 3 x 120mm, 2 x 120mm, 1 x 120mm 3 x 140mm, 2 x 140mm, 1 x 140mm |
| Radiator Support | Front: 1 x 360mm, 1 x 240mm, 1 x 120mm 1 x 420mm(AIO only), 1 x 280mm, 1 x 140mm |
| | Top: 1 x 240mm, 1 x 120mm 1 x 140mm |
| | Right (M/B Side): 1 x 360mm, 1 x 240mm, 1 x 120mm 1 x 420mm(AIO only), 1 x 280mm, 1 x 140mm |
| | Rear: 1 x 360mm, 1 x 240mm, 1 x 120mm 1 x 420mm(AIO only), 1 x 280mm, 1 x 140mm |
| | Bottom: 1 x 360mm, 1 x 240mm, 1 x 120mm 1 x 280mm, 1 x 140mm |
| Clearance | CPU cooler height limitation: 190mm VGA length limitation: 370mm (With Radiator) 420mm (Without Radiator) PSU length limitation: 220mm |

| Figure | Part Name | Q'ty | Used For |
|---|-------------------------|------|---|
|  | Screw #6-32*6.0mm | 4 | Power Supply |
|  | PCI-E Riser Bracket | 1 | PCI-E Riser Cable |
|  | Screw Flat #6-32*5.0mm | 4 | PCI-E Riser Bracket |
|  | Screw #6-32*6.0mm | 34 | PCI-E Riser Cable Motherboard / 3.5" HDD |
|  | Stand-off #6-32*7.5mm | 5 | Motherboard PCI-E Riser Cable |
|  | Nut Setter | 1 | Motherboard Stand-off Installation |
|  | Thumb Screw #6-32*6.0mm | 8 | VGA Card |
|  | Screw M3*6.0mm | 20 | 2.5" HDD 2.5" SSD |
|  | 3.5" HDD Rubber | 20 | 3.5" HDD |
|  | Clip | 5 | Side Panel |
|  | Zip Ties | 15 | Cable Management |
|  | Buzzer | 1 | Motherboard Alarm |

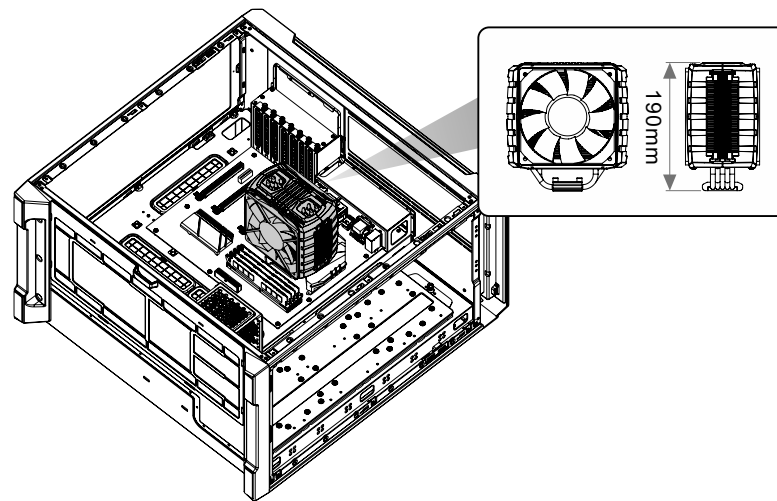
Chassis dimension



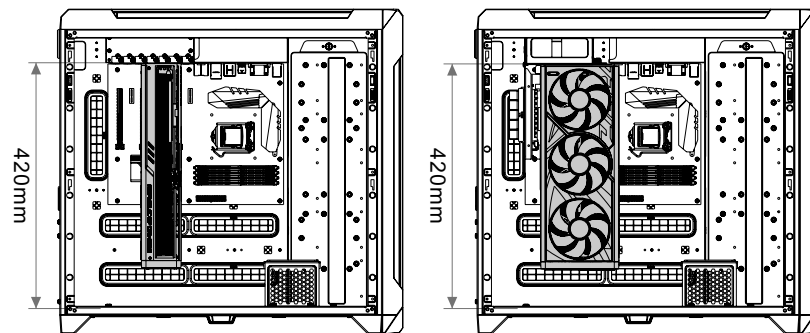
Motherboard compatibility: ITX / mATX / ATX / E-ATX
(Up to 330.2mm wide)



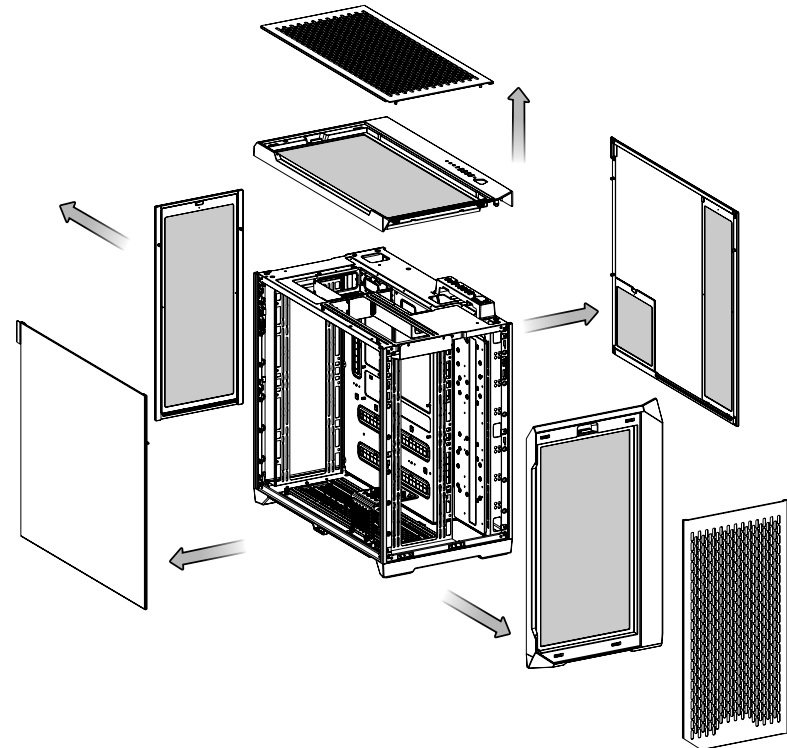
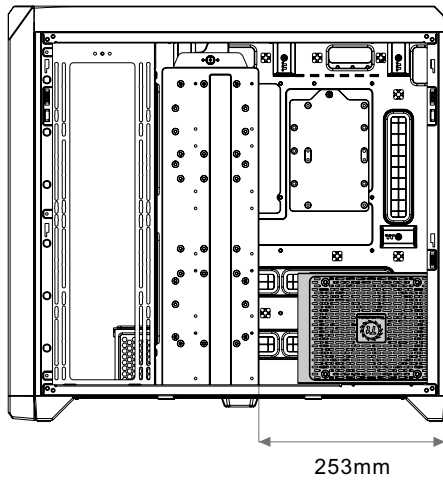
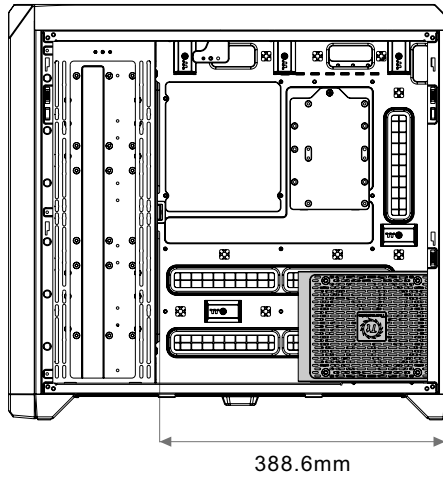
CPU cooler max height: 190mm

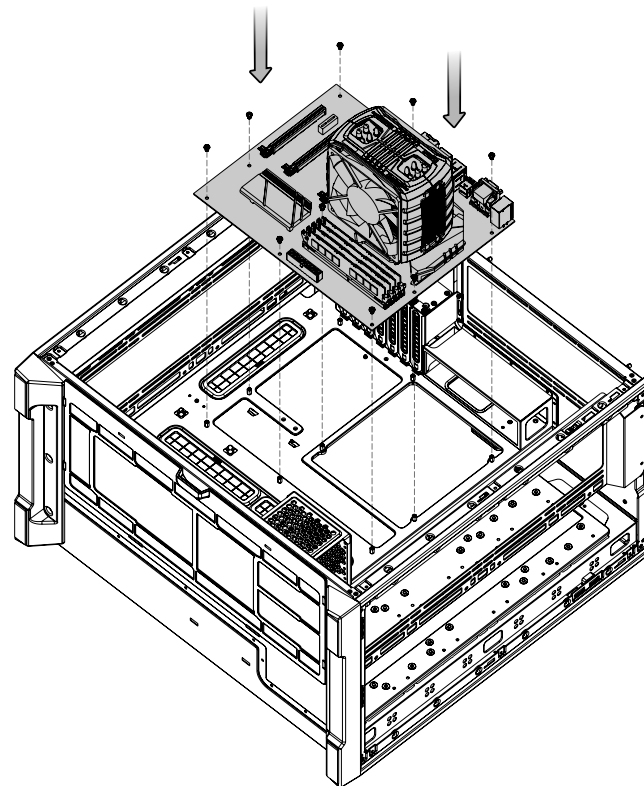
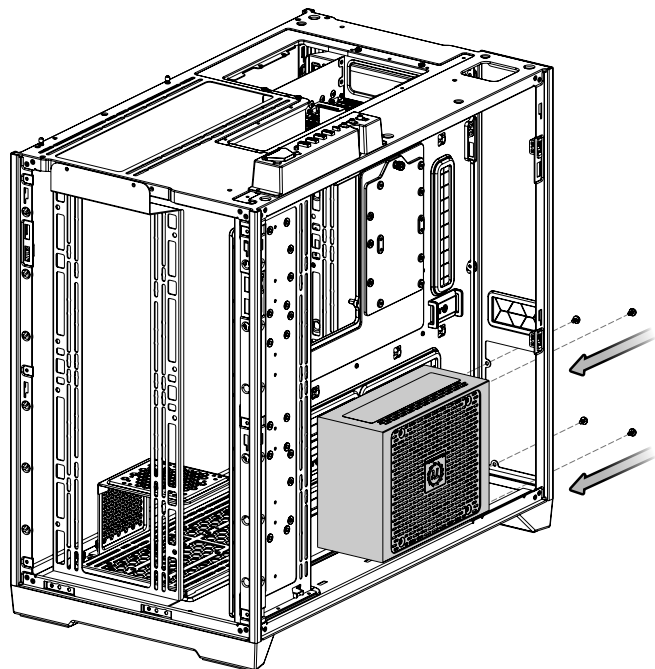


VGA max length: 420mm

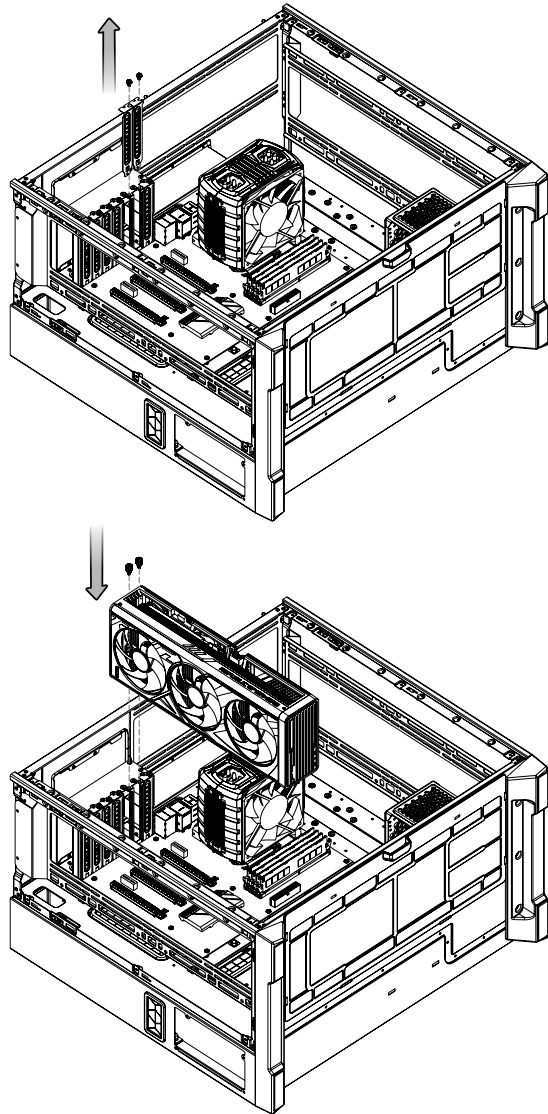


PSU max length: 220 mm

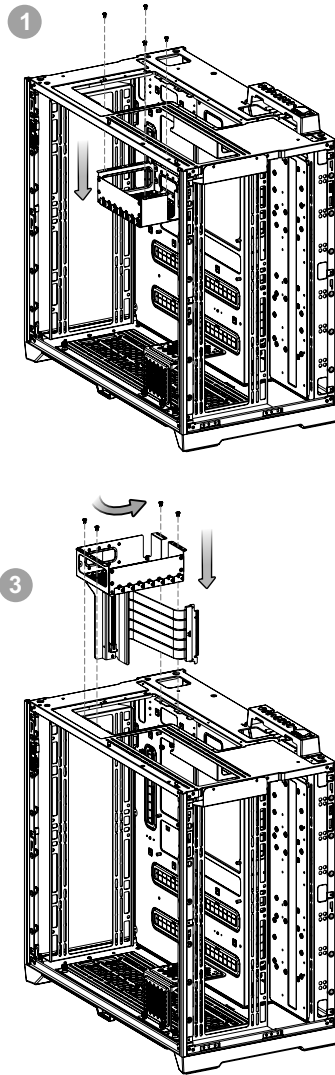




A

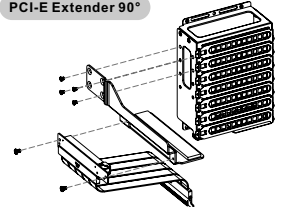


B

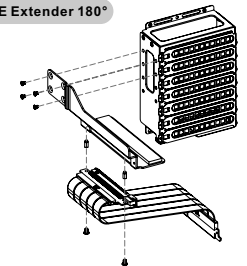


2 *PCI-E Extender is not included.

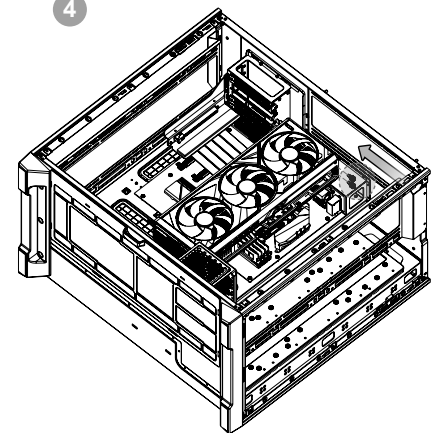
PCI-E Extender 90°



PCI-E Extender 180°

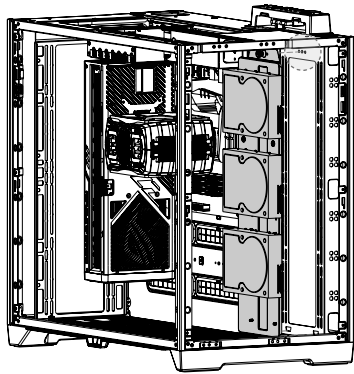


4

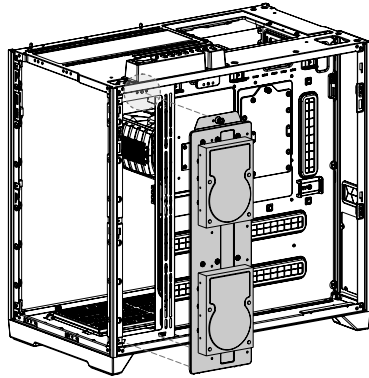


1 HDD Bracket

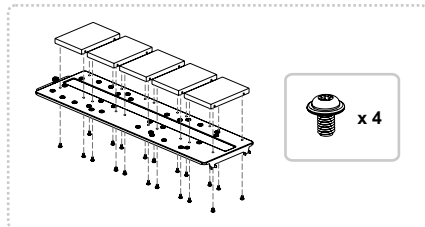
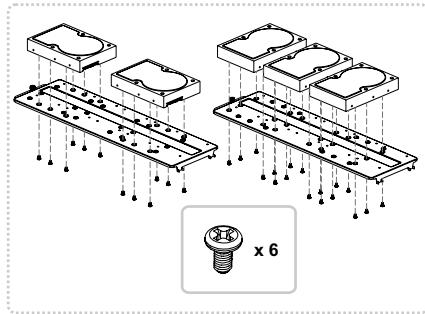
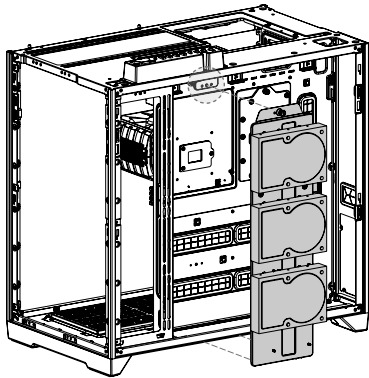
Type A



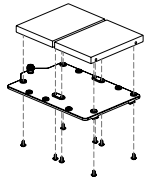
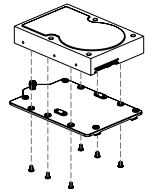
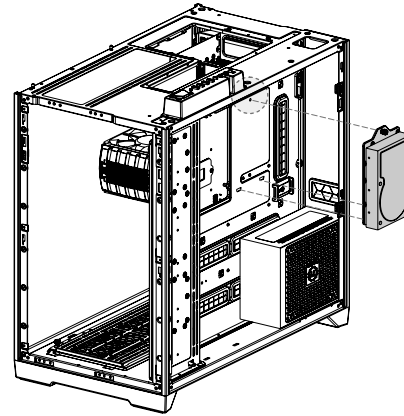
Type B



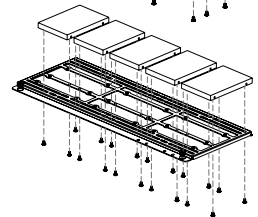
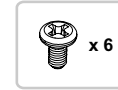
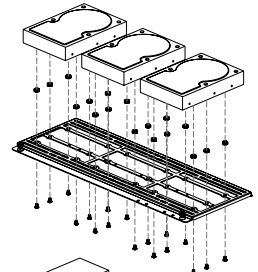
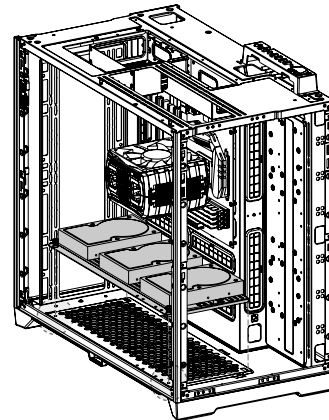
Type C

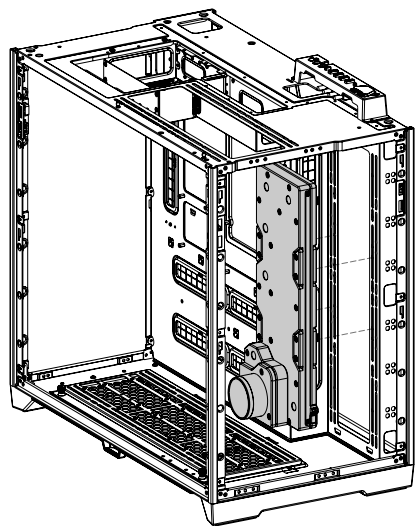


2

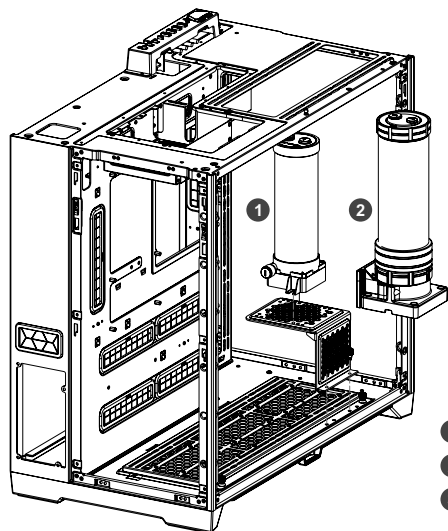


3

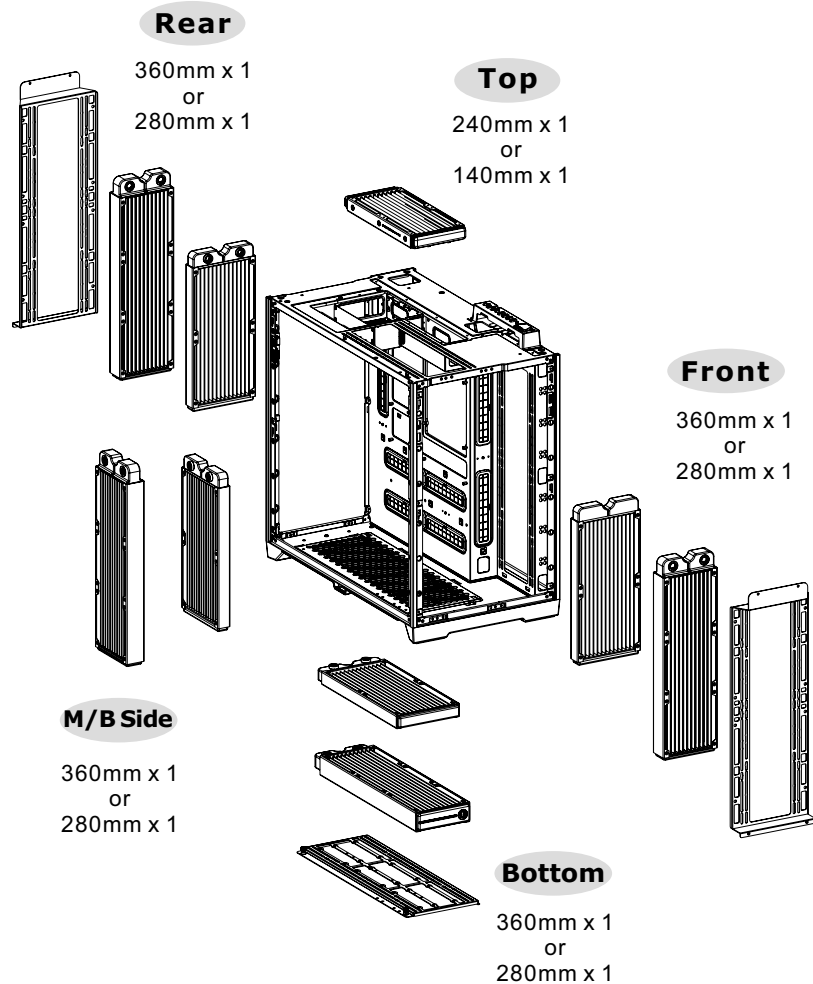




Pacific DP100-D5 Plus
Distro-Plate



- ① Pacific PR22-DC
- ② Pacific PR32-D5 Plus
- ③ Pacific PR22-D5 Plus



Rear

360mm x 1
or
280mm x 1

Top

240mm x 1
or
140mm x 1

Front

360mm x 1
or
280mm x 1

M/B Side

360mm x 1
or
280mm x 1

Bottom

360mm x 1
or
280mm x 1

