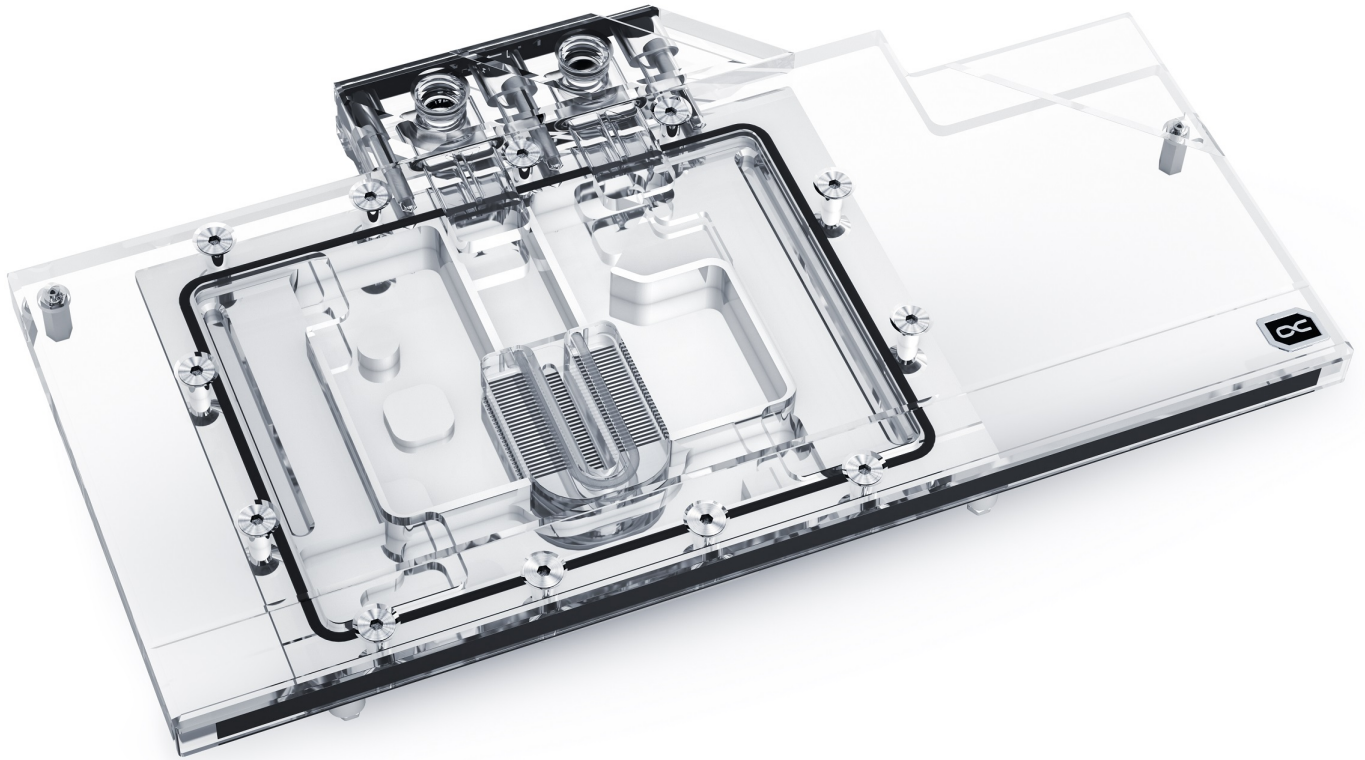


## Alphacool Eisblock Aurora Acryl GPX-A Radeon RX 6900XT Toxic with Backplate

Alphacool article number: 13057



### Quick Info

The Alphacool Eisblock Aurora Acrylic GPX graphics card water cooler with backplate combines style with performance. Extreme cooling performance and an extensive digital RGB lighting characterize it. Experience and technical know-how from more than a decade have gone into the development, without making any technical compromises. The Eisblock Aurora Acryl GPX is a significant evolution of the previous Alphacool graphics card water cooler, which has been improved in every area.

- Fullcover water block
- Nickel plated copper cooler
- Adressable digital RGB LEDs

## Compatibility

- Sapphire Toxic Radeon RX 6900 XT Limited Edition, 16GB GDDR6, HDMI, 3x DP
- Sapphire Toxic Radeon RX 6900 XT Extreme Edition, 16GB GDDR6, HDMI, 3x DP
- Sapphire Toxic Radeon RX 6900 XT Air Cooled, 16GB GDDR6, HDMI, 3x DP
- Sapphire Nitro+ Radeon RX 6900 XT SE, 16GB GDDR6, HDMI, 3x DP

## Scope of delivery

3x 15x51x1mm thermal pad	4x M2x5 screws
1x 8x66x1mm thermal pad	4x M2 washers
1x 8x100x1mm thermal pad	6x M2x11 screws
2x 8x8x1mm thermal pad	1x plug tool
1x 30x30x3mm thermal pad	1x Thermal grease
3x 15x51x3mm thermal pad	2x Screw plugs
1x 15x28x3mm thermal pad	1x digital-RGB adapter
2x 8x74x3mm thermal pad	1x backplate

## Technical data cooler

L x W x H	259 x 144,50 x 25,4mm
Material cooler	Nickle-plated copper
Material cooler top	acrylic
Threads	4 x G1/4
Thickness cooling fins	0,6 mm
Illumination	digital aRGB LEDs
Power connector digital aRGB LEDs	3-Pin JST
Power digital aRGB LEDs	5V

## Technical data backplate

L x W x H	259 x 120 x 6mm
Material	aluminium
Color	black

## Download links

Manual	<a href="#">13057_Alphacool_Eisblock_Aurora_Acryl_GPX-A_Radeon_RX_6900XT_Toxic_with_Backplate_Manual.pdf</a>
Product pictures	<a href="#">13057_Alphacool_Eisblock_Aurora_Acryl_GPX-A_Radeon_RX_6900XT_Toxic_with_Backplate_pics.zip</a>

## Packaging dimensions per unit

L x W x H	353 x 170 x 45 mm
Weight	1385 g

## Other data

Certificates	CE, FC, RoHS
EAN	4250197130578
Customs code	84195080900

## Article text

The Alphacool Eisblock Aurora Acrylic GPX graphics card water cooler with backplate combines style with performance. Extreme cooling performance and an extensive digital RGB lighting characterize it. Experience and technical know-how from more than a decade have gone into the development, without making any technical compromises. The Eisblock Aurora Acryl GPX is a significant evolution of the previous Alphacool graphics card water cooler, which has been improved in every area.

### More performance!

During the development of the Eisblock Aurora Acryl GPX graphics card water cooler, emphasis was naturally placed on increasing performance. First, the cooler was brought closer to the individual components by reducing the thickness of the heat conducting pads. Next, the nickel-plated copper block was also made thinner. Step 3 involves the constant optimisation of the water flow within the cooler. The result: All important components such as voltage converters and RAM are cooled much better and more effectively by the water and the cooling performance increases significantly.

### Brilliant design!

The addressable digital aRGB LEDs are embedded directly in the cooling block and run along the sides of the entire cooler. The effect is an illumination that engulfs the entire cooling block. No corner or edge is left unlit by the aRGB LEDs. The new design is more angular, with all edges bevelled. The result is better light diffusion in the water cooler due to the reflections on these bevels. They also create various contours that give the Eisblock Aurora Acryl GPX cooler its very own visual touch.

### Copper or aluminium?

Alphacool only uses copper in its water coolers. In the case of the Eisblock Aurora Acryl GPX, the copper is nickel-plated. Compared to the previous models, however, Alphacool has once again improved the type of nickel plating, which has significantly increased the acid resistance. This should prevent the nickel plating from flaking off. Why does Alphacool use copper instead of aluminium? Copper has almost twice the thermal conductivity of aluminium and is therefore clearly the better material for water cooling.

### Other special features

The Eisblock Aurora Acryl GPX GPU cooler has the patented screw plugs, which sit flush with the surface of the terminal. The Alphacool logo sits in the corner on the top and is also fully illuminated. On the front of the terminal, corresponding designations of the compatible graphics card manufacturers can be seen. Of course, these are also fully illuminated by the addressable digital LEDs. IN and OUT are marked by small discreet triangles. They are easily recognisable and fit perfectly into the overall visual line of the graphics card water cooler.

# Drawing

